

ISAF M.TG srl Via B. Parodi, 286/A 16010 Ceranesi - Genoa Italy
 Tel. 010781793 - 0107848136 Fax 0107268816 e-mail: info@isafmtg.com

Type	IDRG	Datasheet	15.7.10.6
Rev.	0	Date	02/03/2003
		Page	1/1

CONFIGURATION

Pressurization system, completely assembled, made of: vertical cylindrical vessel, no.2 centrifugal pumps, switchboard, inlet and outlet manifolds with check and non-return valves, adjustable differential pressure switches, pressure gauge and tested safety valve. The supplied switchboard has to be installed separately.

APPLICATION

To assure a constant average pressure and guarantee a rational water supply to the water lines.

DESIGN CONDITIONS

Max. Pressure 6 bar
 Max. Temperature 50 °C
 Min. Temperature 0 °C

SPECIAL PLANTS

Particular constructions are realized on customer's specification.

ACCESSORIES AND COMPONENTS

ISAF systems can be supplied complete with monitoring equipments, valves, switchboards and other accessories which assure their proper functioning.

For an easier installation a wide range of components can be supplied.

TESTS

RINA - ABS - LR - BV - GL - DNV - MMI

MATERIALS

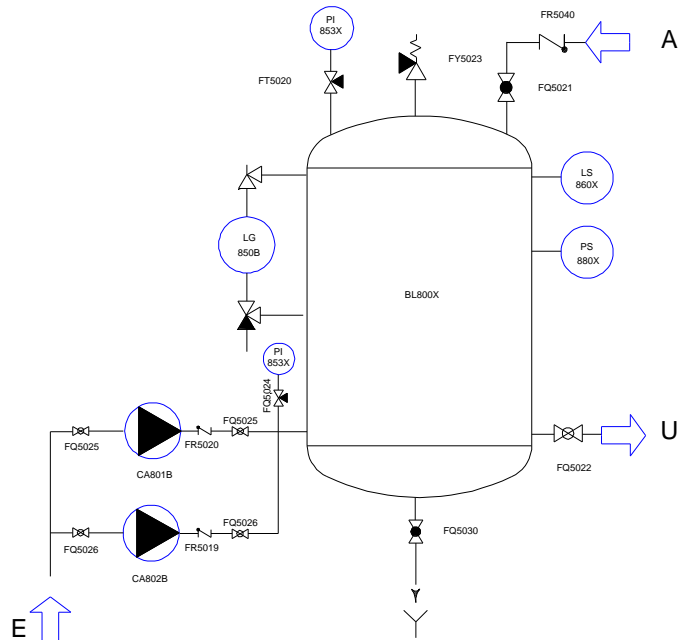
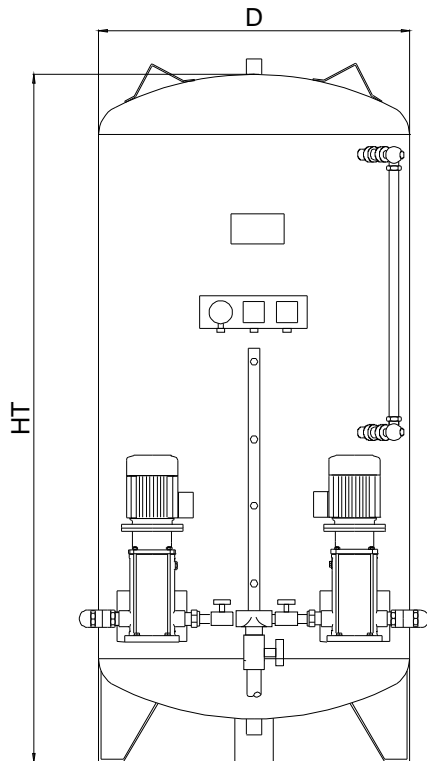
A1 STEEL P 265 GH
 A2 STEEL P 355 NH
 A3 ASTM A 106 B
 X AISI 304 L
 XX AISI 316 L

CONNECTIONS

Threaded BSP - NPT
 Flanged UNI - DIN - ASME - JIS

TREATMENTS

Treatment of internal and external surfaces according to the application of the plant.



All information and data shown on this datasheet can be modified without notice

Standard flanges: UNI2278/67 NP16

Model	Capacity Lt.	Max.Design Pressure bar	D	HT	L	H	E - U	Weight Kg.
IDRG500V	500	6	600	1950			ND32	160
IDRG750V	750	6	800	1750			ND40	215
IDRG1000V	1000	6	800	2300			ND50	350
IDRG1500V	1500	6	950	2450			ND50	440
IDRG2000V	2000	6	1100	2470			ND80	560