

ISAF M.TG srl Via B. Parodi, 286/A 16010 Ceranesi - Genoa Italy
 Tel. 010781793 - 0107848136 Fax 0107268816 e-mail: info@isafmtg.com

Type **ERIS** Datasheet **17.5.30.6**
 Rev. 0 Date 02/03/2003 Page 1/1

CONFIGURATION

Vertical cylindrical vessel with supports for floor installation, complete with thermal insulation, switchboard, electrical heaters and with the accessories requested by the classification society.

APPLICATION

Production and storage of hot water for sanitary use.

DESIGN CONDITIONS

Max. Pressure 6 bar
 Max. Temperature 90 °C
 Min. Temperature 0 °C

SPECIAL PLANTS

Particular constructions are realized on customer's specification.

ACCESSORIES AND COMPONENTS

ISAF systems can be supplied complete with monitoring equipments, valves, switchboards and other accessories which assure their proper functioning.
 For an easier installation a wide range of components can be supplied.

TESTS

RINA - ABS - LR - BV - GL - DNV - MMI

MATERIALS

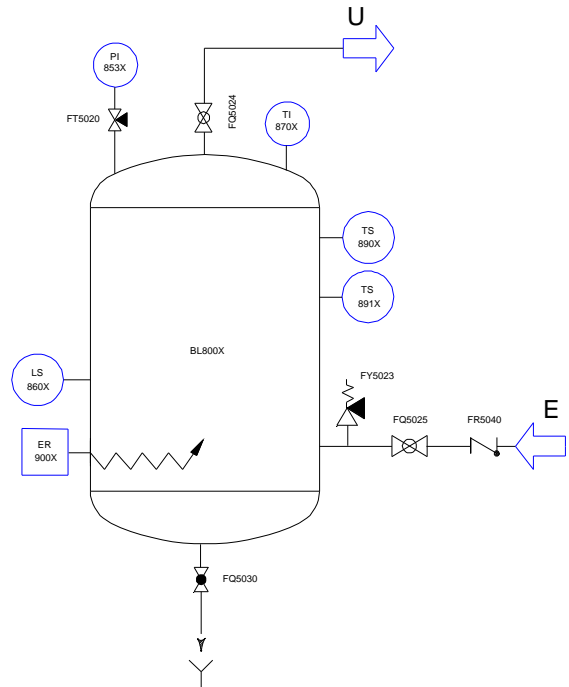
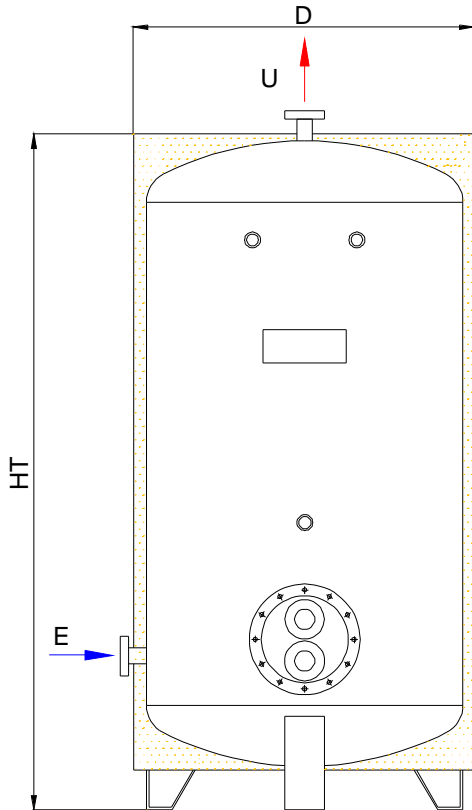
A1 STEEL P 265 GH
 A2 STEEL P 355 NH
 A3 ASTM A 106 B
 X AISI 304 L
 XX AISI 316 L

CONNECTIONS

Threaded BSP - NPT
 Flanged UNI - DIN - ASME - JIS

TREATMENTS

Treatment of internal and external surfaces according to the application of the plant.



All information and data shown on this datasheet can be modified without notice

Standard flanges: UNI2278/67 NP16

Model	Capacity Lt.	Max.Design Pressure bar	Power kW	D	HT	L	H	E - U	Weight Kg.
ERIS100V	100	6	3	500	1050			1"G	66
ERIS200V	200	6	5	500	1900			1"G	91
ERIS300V	300	6	3+3	700	1400			1 1/4"G	108
ERIS500V	500	6	5+5	700	2050			ND32	130
ERIS750V	740	6	7,5+5	900	1850			ND40	184
ERIS1000V	1000	6	7,5+7,5	900	2400			ND40	280
ERIS1500V	1500	6	10+10	1050	2550			ND50	358
ERIS2000V	2000	6	15+15	1200	2570			ND50	520
ERIS3000V	3000	6	25+25	1400	2710			ND80	815